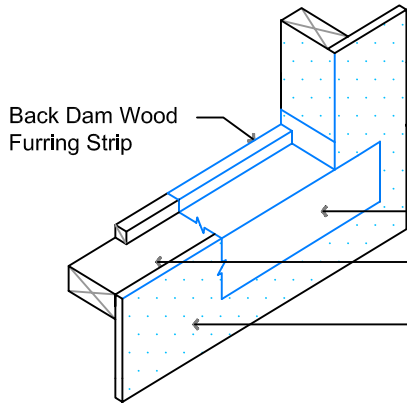
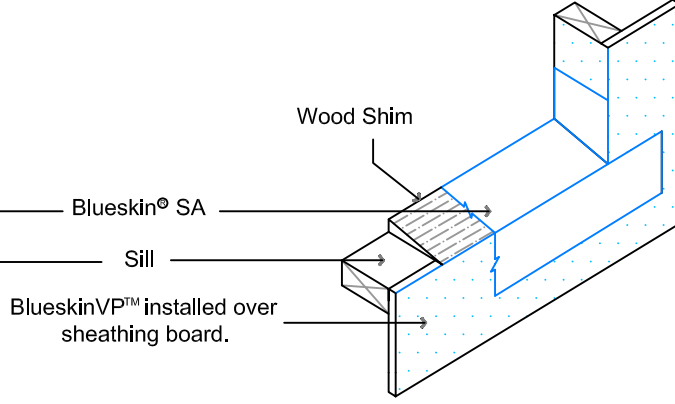


STEP 5:

OPTION A

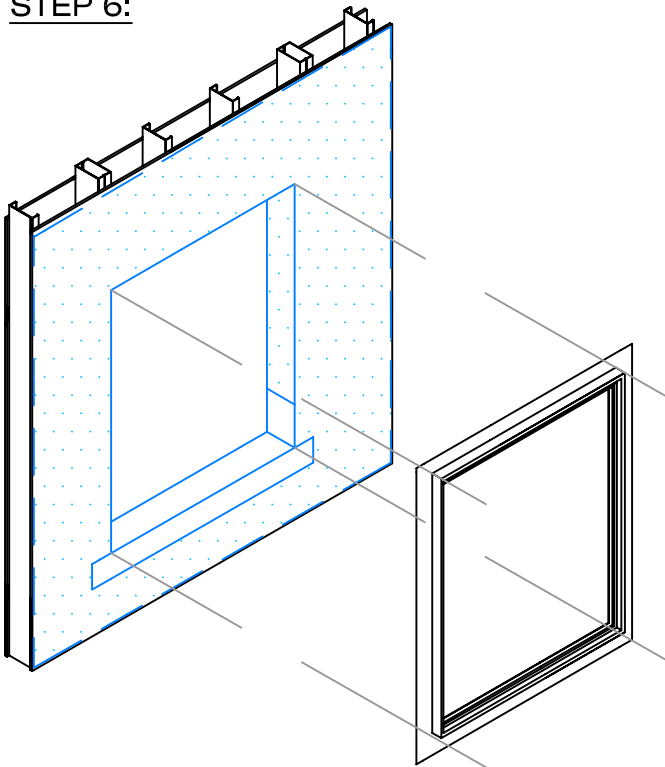


OPTION B



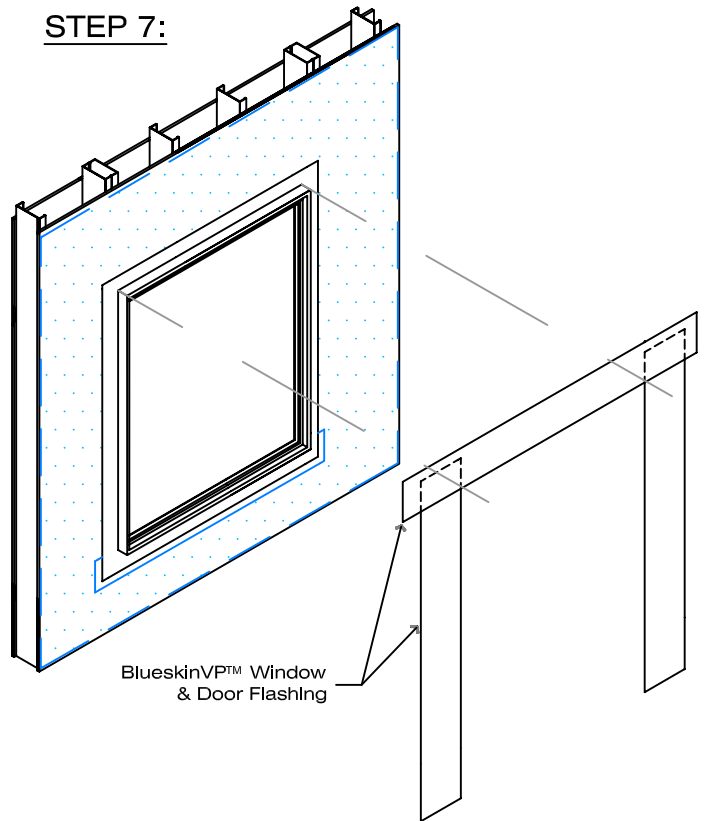
Prime areas to receive Blueskin® SA self-adhering membrane. Cut and fit Blueskin® SA self-adhering membrane to sill locations and extending vertically up jambs a minimum of 6". Extend Blueskin® SA self-adhering membrane onto face of sheathing boards adjacent to window opening. Seal cuts and terminations with Henry HE925 BES termination sealant.

STEP 6:



For self-draining window installations apply a 3/8 inch continuous bead of Henry® HE925 BES sealant to backside of head and jamb nailing flanges. Apply a 3/8 inch intermittent bead of Henry® HE925 BES sealant to backside of sill nailing flange per ASTM 2112 to allow drainage. While Henry® HE925 is still wet, install and secure window per window manufacturer's instructions.

STEP 7:



Install BlueskinVP™ Window & Door Flashing membrane over vertical nailing flanges extending down over sillpan flashing. Install BlueskinVP™ Window & Door Flashing membrane over horizontal head nailing flange extending over vertical membrane.